

# FourReal<sup>®</sup> A Flex

Design by Studio Ocee

FACT SHEET / TECHNICAL & ENVIRONMENTAL SPECIFICATION



# FourReal® A Flex

Design by Studio Ocee

## Product options

### VARIATIONS

(Integrated castors on two legs):  
140 x 120 cm  
140 x 140 cm  
240 x 120 cm  
240 x 140 cm

### ACCESSORIES

Paper roll holder  
Chair suspension  
Cable net  
Cable duct (aluminium)  
Linking device  
Acoustic panels  
Tray  
Power cube  
Flower box  
Top shelf

### TABLE TOP FINISHES

Please visit our price list for all table top colours  
[Ocee & Four Price List UK](#) ↗

### STANDARD FRAME COLOUR

● Mat Black  
RAL 7021

Please visit our price list for optional powder coating frame colours [Ocee & Four Price List UK](#) ↗



Meet the FourReal® A Flex table – an extension of our versatile FourReal® family, featuring our signature A-frame. Packed with space-saving features and exceptional flexibility, this expansive table effortlessly caters to diverse work scenarios, from solo work to meetings to collaborative sessions. Designed for flexibility, it accommodates a variety of seating choices, including soft seating, task chairs, and benches. The architectural elements of the A-frame add a cosy and secure feel, appealing to those who prioritise both aesthetics and functionality. Elevate your experience by personalising with custom wooden trays, acoustic panels, power cubes, and cable nets.

## Tecnical specifications

### WEIGHT

140 x 120 cm: 68 kg  
 140 x 140 cm: 72 kg  
 240 x 120 cm: 96,3 kg  
 240 x 140 cm: 103,2 kg

### CHAIR SUSPENSION

*Maximum qty pr. size:*  
 140 x 120 cm: 4 set  
 140 x 140 cm: 4 set  
 240 x 120 cm: 8 set  
 240 x 140 cm: 8 set

### CABLE NET

*Maximum qty pr. size:*  
 140 x 120 cm: 1 pc  
 140 x 140 cm: 1 pc  
 240 x 120 cm: 2 pcs  
 240 x 140 cm: 2 pcs

### TEST

EN 15372:2016 - L2

### CERTIFICATION

Compliant with TSCA Title VI

## Materials

### TABLE TOP

Decor: Chip board with decor laminate and ABS-edge. Thickness: 19 mm.

Laminate: Chip board with high-pressure laminate or Fenix laminate and ABS- edge. Thickness 20 mm.

Linoleum: Chip board with linoleum and ABS-edge. Thickness 21 mm.

### FRAME, STEEL

Powder coated steel frame.

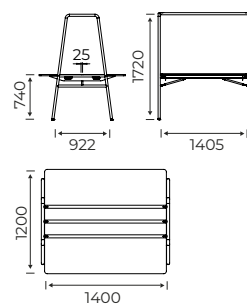
Legs: Ø32 x 2,5 mm, S235 steel, EN 10305-3 F300C

Beam: 80x50x1,5 mm RHS profile beam, S235 steel

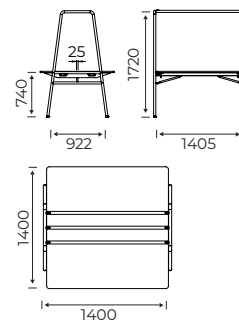
Gliders and gliders with integrated castors: LDPE

## Dimensions

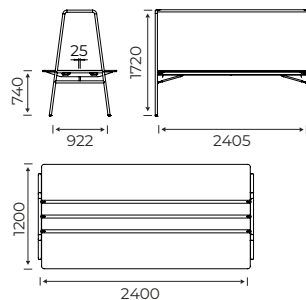
140 x 120 cm



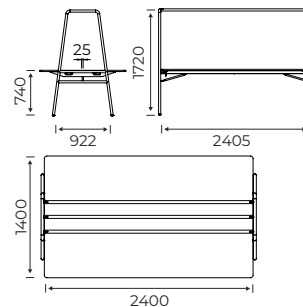
140 x 140 cm



240 x 120 cm



240 x 140 cm



## Environmental data

Product environmental data can assist you in meeting the requirements for LEED, BREEAM, WELL, and SKA building certifications.

### FOURREAL® A FLEX 140 X 120 CM



#### RECYCLED CONTENT

37 %

#### RECYCLABILITY

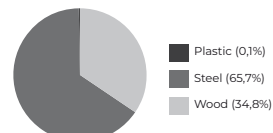
65 %

#### CARBON FOOTPRINT

570

Kg CO<sub>2</sub>e per unit

#### MATERIAL BREAKDOWN



### FOURREAL® A FLEX 140 X 140 CM



#### RECYCLED CONTENT

38 %

#### RECYCLABILITY

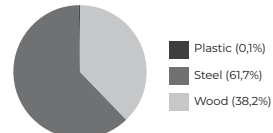
62 %

#### CARBON FOOTPRINT

600

Kg CO<sub>2</sub>e per unit

#### MATERIAL BREAKDOWN



### FOURREAL® A FLEX 240 X 120 CM



#### RECYCLED CONTENT

39 %

#### RECYCLABILITY

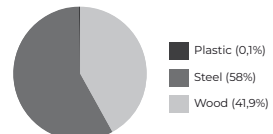
58 %

#### CARBON FOOTPRINT

770

Kg CO<sub>2</sub>e per unit

#### MATERIAL BREAKDOWN



### FOURREAL® A FLEX 240 X 140 CM



#### RECYCLED CONTENT

40 %

#### RECYCLABILITY

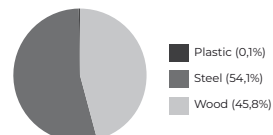
54 %

#### CARBON FOOTPRINT

860

Kg CO<sub>2</sub>e per unit

#### MATERIAL BREAKDOWN



### CARBON FOOTPRINT

The carbon footprint (CO<sub>2</sub>e) covers the full product life cycle, cradle-to-grave. Calculations follow the Product Environmental Footprint (PEF) methodology and are obtained using the MALBAR screening tool.

## Quality and environment

At Ocee & Four Design, we care about sustainability. We strive to reduce our impact by producing quality furniture in a sustainable manner. Find out more about our journey on [Oceeandfour.com](https://oceeandfour.com) ↗

### COMPANY CERTIFICATIONS

ISO 9001  
ISO 14001  
FSC Chain of Custody  
(License Code: FSC-C161956)  
FISP Full Membership

### WARRANTY

Ocee & Four Design provides a 5-year warranty on all

products within our price list. This warranty covers breakage and damage of products occurring because of deficient craftsmanship performance under normal use. The warranty shall lapse if the product shows signs of mishandling abuse or other physical damage.

The warranty does not cover those parts of the product which are exposed to abrasion during use.

### INSTRUCTIONS

Assembly instructions can be found at our website.

### MAINTENANCE

Refer to our [Maintenance Guide](#) ↗

### DISASSEMBLY & RECYCLING

Products should be disassembled and separated into their components and materials before recycling. Most products can be disassembled using hand tools. Metal parts are commonly recycled. Powder coated frames are treated with a paint classified as not dangerous according to directive 1999/45/EF. Wood can either be recycled or incinerated. Plastic shells

can be recycled. Upholstery and veneer shells are not recyclable but can be disposed of through incineration. Processes for recycling vary so check with your waste management organisation.

### TAKE BACK SCHEME

Extend the life of your furniture! If you're in the UK, explore our [Take Back Scheme](#) ↗ to dispose of your used items in a sustainable way.